

1 Dec 2023

Industry Professionals

Dear Sir/Madam,

REVISION TO PUB'S STANDARD DRAWING – DETAILS OF HANDRAIL AND SAFETY CHAIN/ROPE (PUB/WRN/STD/102A)

PUB has revised the above standard drawing to enhance safety requirements of handrail and safety chain. The revised drawing is attached and can also be downloaded at <https://info.pub.gov.sg/compliance/industry/drawings>. Key changes to the drawings are stated in **Annex A**.

2 All new Development Control (DC) submissions shall adopt the revised standard drawing (Drawing No: PUB/WRN/STD/102B) and comply fully with the new design requirements from 01 Jun 2024. During this transition period from now till 31 May 2024, we encourage all industry professionals to adopt the revised standard drawing and the new design requirements where this is possible.

3 If you have queries regarding the revised standard drawing, you may contact Assistant Director Mr Lee Jia Yi at lee_jia_yi@pub.gov.sg or send your queries to pub_one@pub.gov.sg.

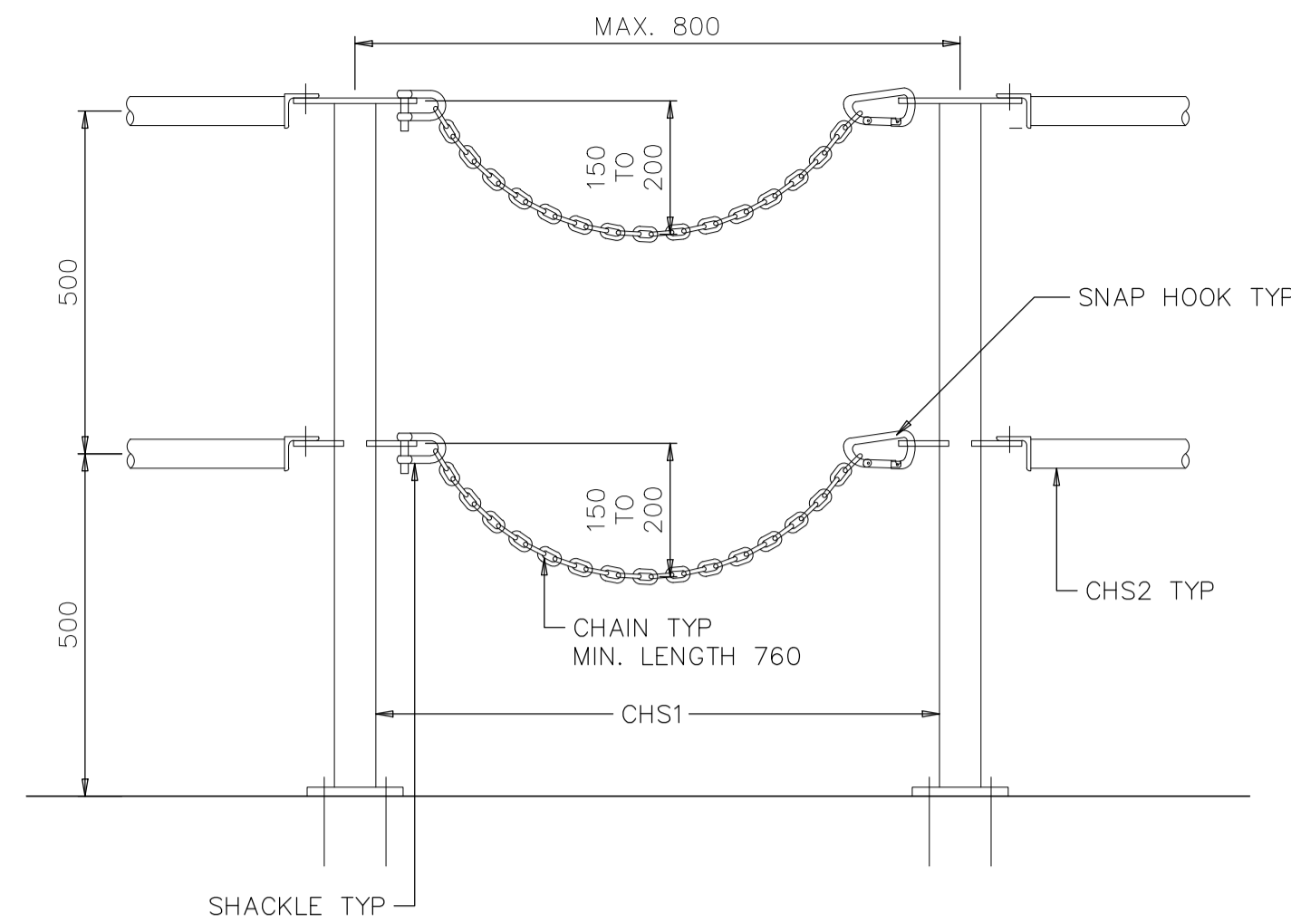
Yours faithfully



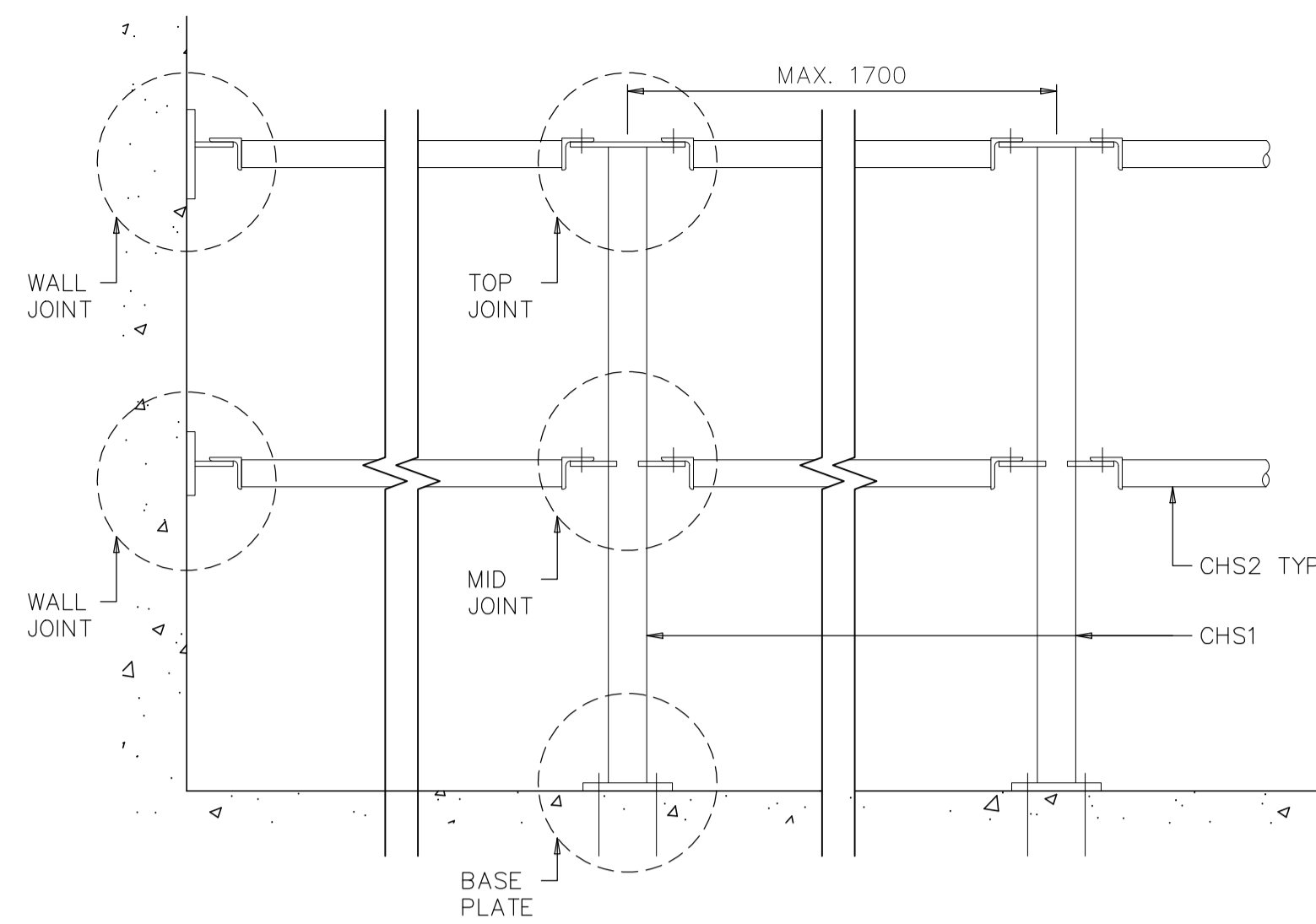
f Cheng Geok Ling (Ms)
Senior Deputy Director
Water Reclamation (Network) Department
PUB, Singapore's National Water Agency

Annex A – Key Changes to PUB/WRN/STD/102B

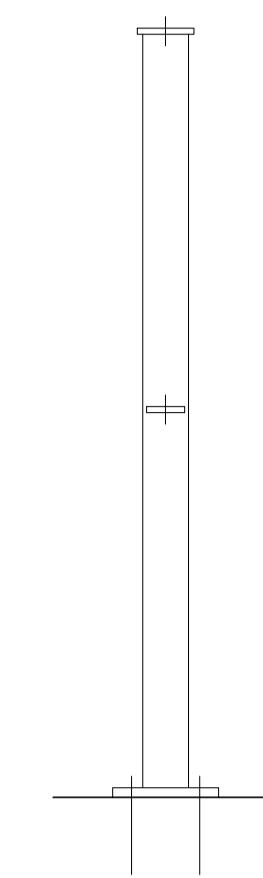
S/N	Descriptions
1	Change in design of members' shape, size, and connection detail.
2	Change in material from aluminium alloy to Grade 316 Stainless Steel.



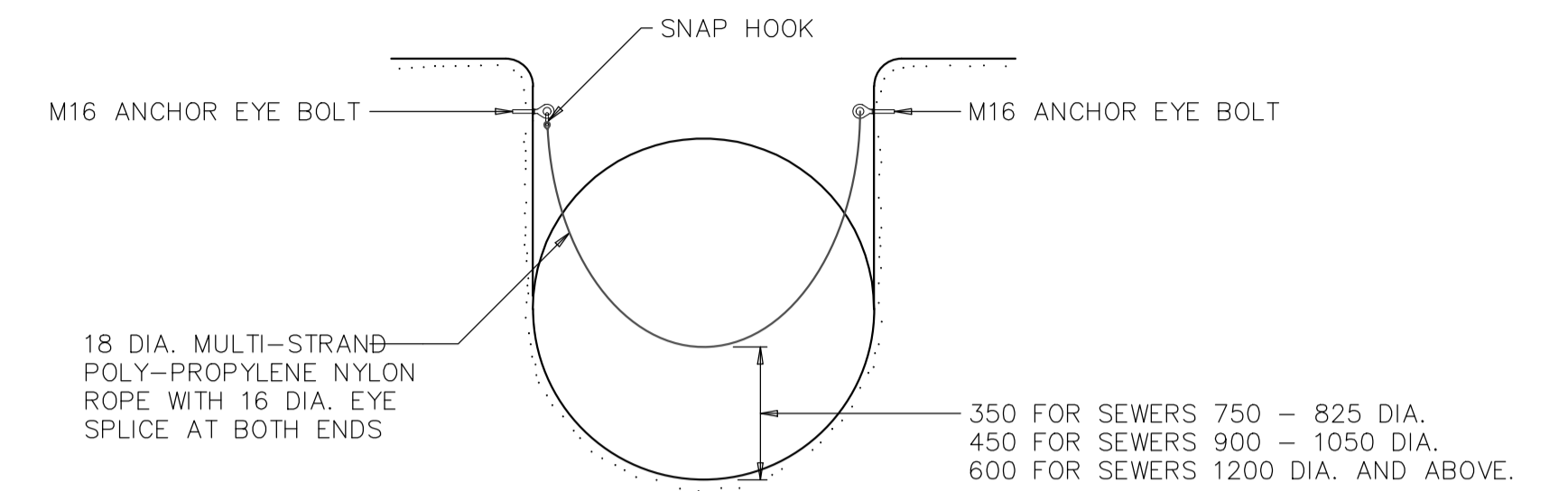
OPENING FOR ACCESS
SCALE 1 : 10



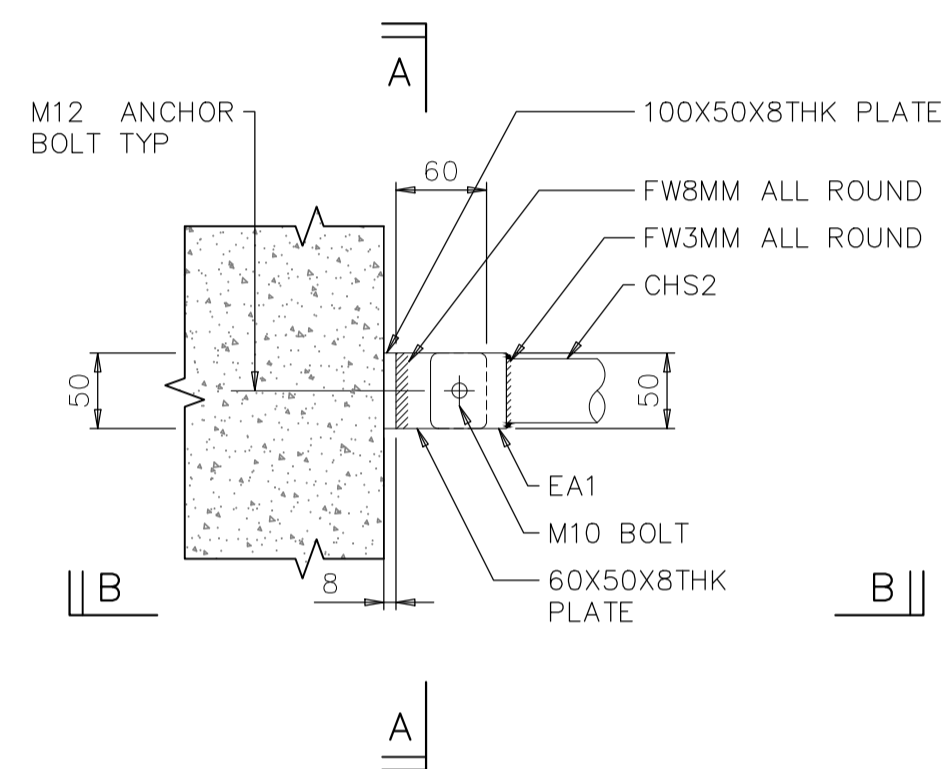
TYPICAL HANDRAIL ARRANGEMENT
SCALE 1 : 10



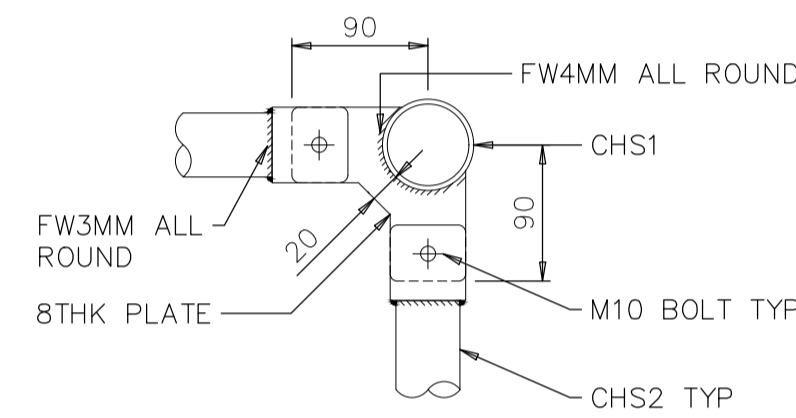
SIDE ELEVATION
SCALE 1 : 10



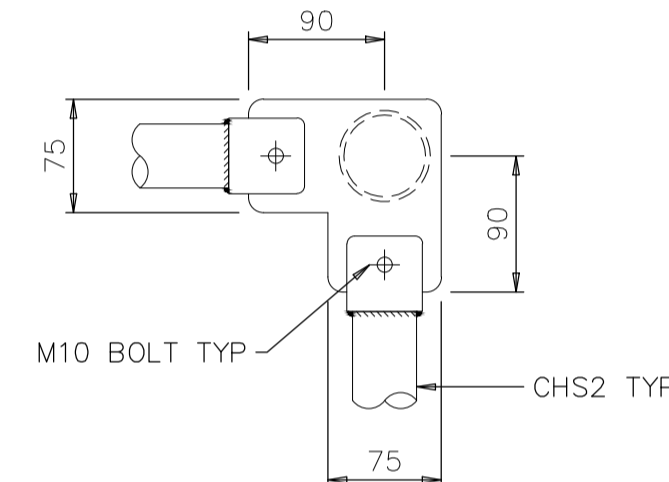
ARRANGEMENT OF SAFETY ROPE FOR MAIN SEWER IN MANHOLE BENCHING
SCALE 1 : 20



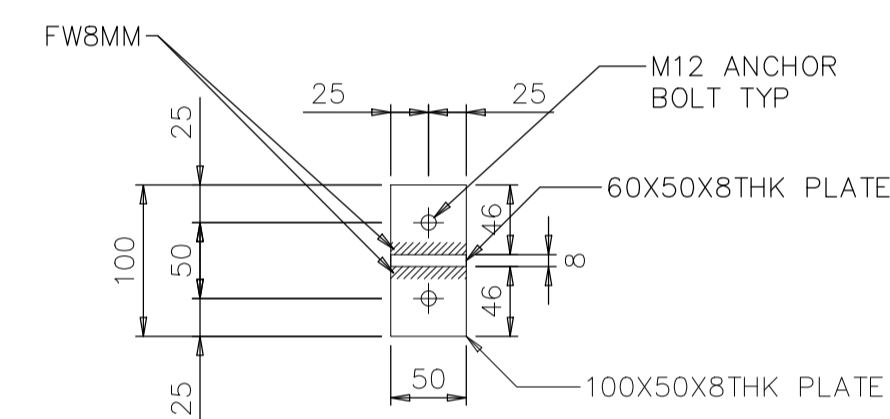
TYPICAL PLAN OF WALL JOINT
SCALE 1 : 5



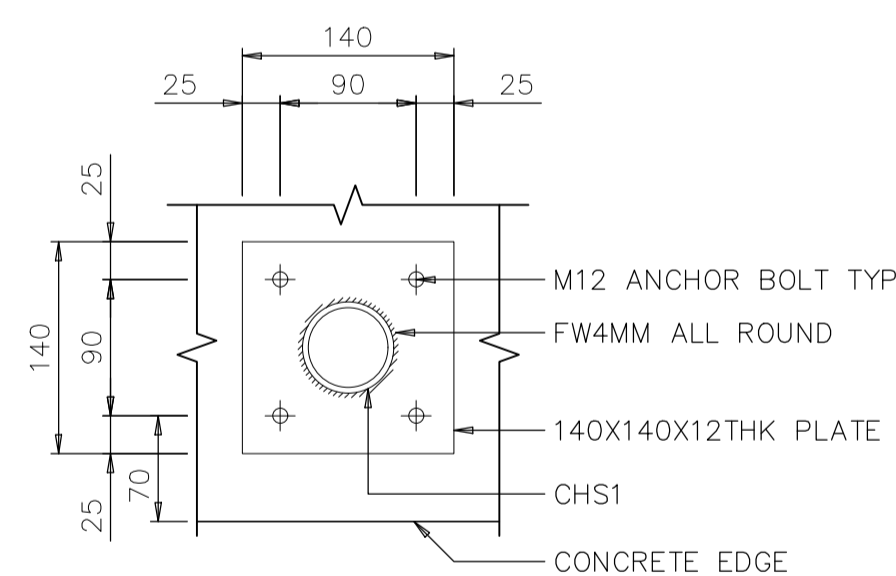
TYPICAL PLAN OF 90° MID JOINT
SCALE 1 : 5



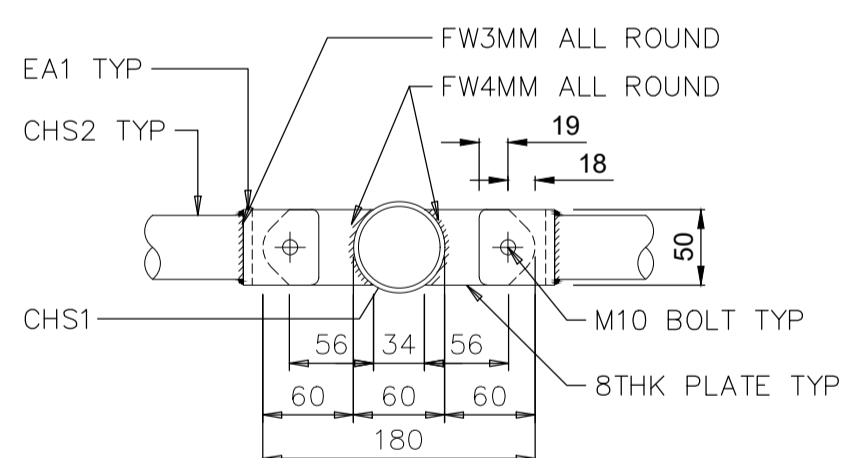
TYPICAL PLAN OF 90° TOP JOINT
SCALE 1 : 5



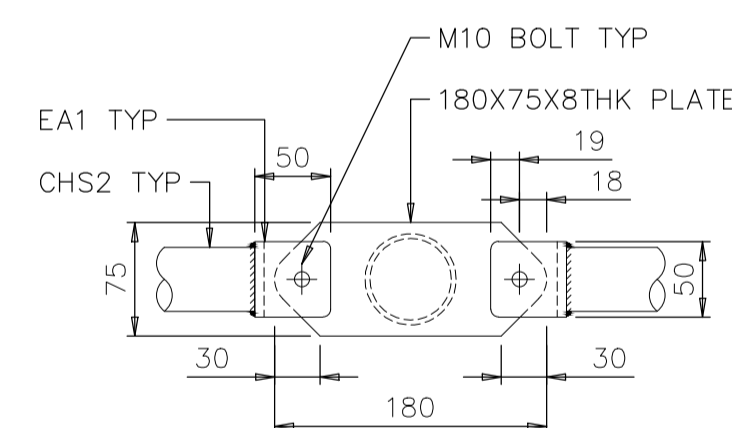
SECTION A-A
SCALE 1 : 5



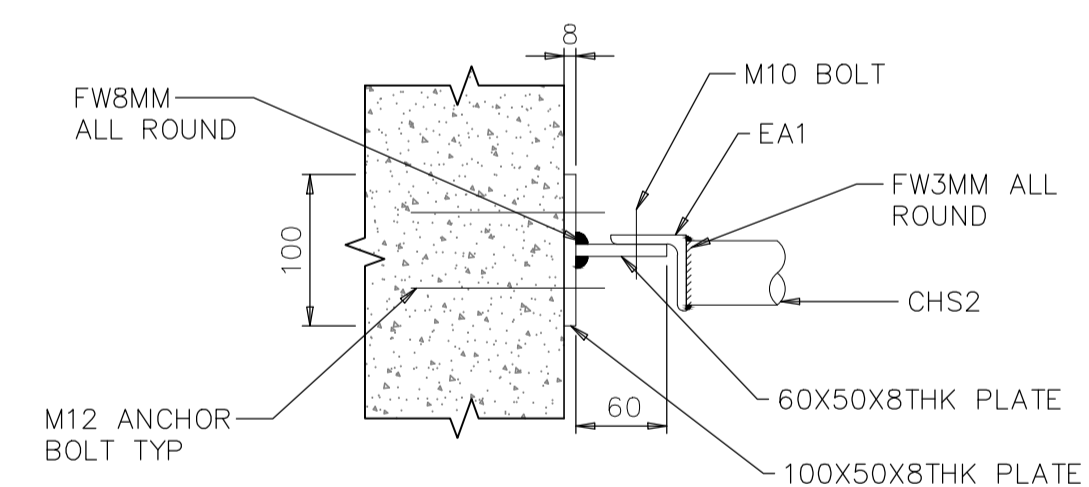
SECTIONAL PLAN C-C
SCALE 1:5



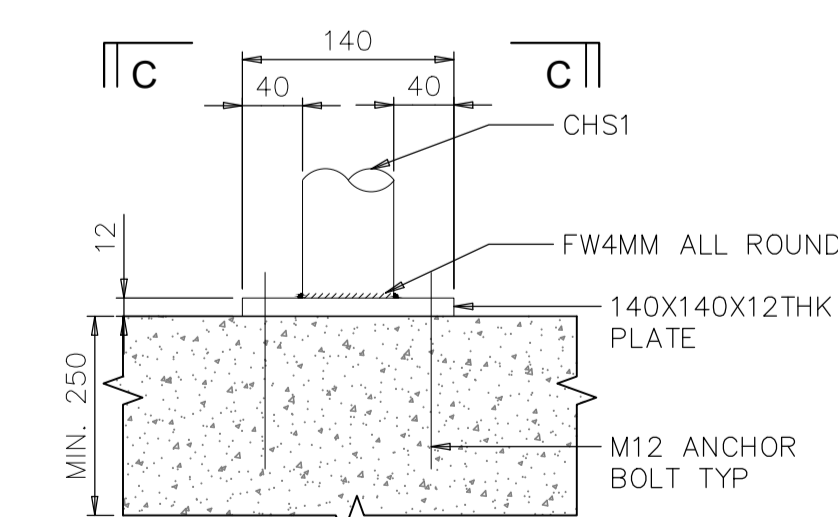
SECTIONAL PLAN D-D
SCALE 1:5



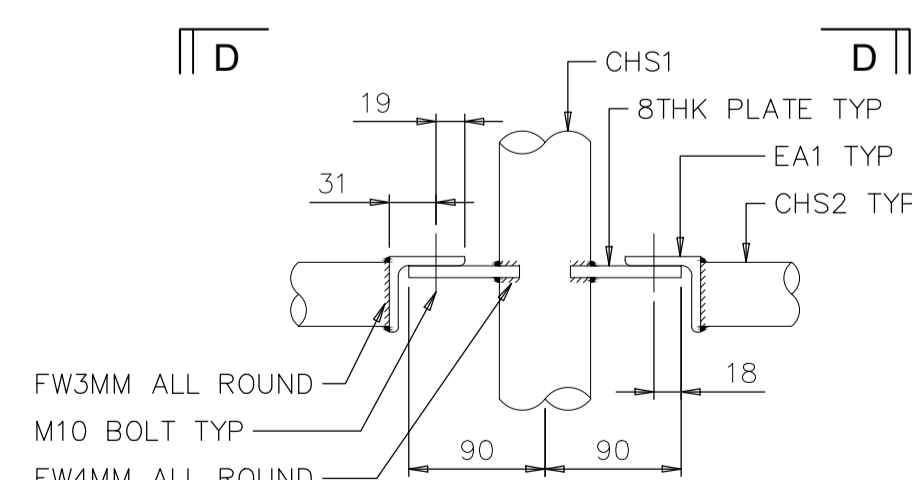
SECTIONAL PLAN E-E
SCALE 1:5



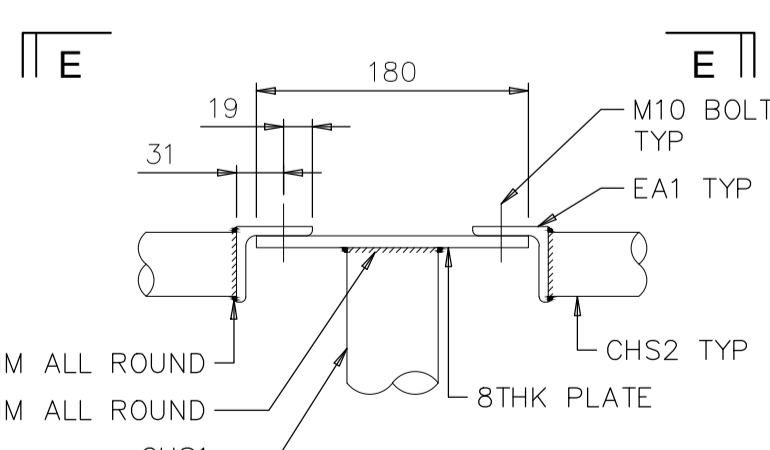
SECTION B-B
SCALE 1 : 5



BASE PLATE DETAIL
SCALE 1:5



MID JOINT DETAIL
SCALE 1:5



TOP JOINT DETAIL
SCALE 1:5

ELEMENT	SECTION/SIZE
CHS1	CHS 60.3X3.9THK
CHS2	CHS 42.4X3.2THK
EA1	EA 50X50X6THK

NOTES

- ALL DIMENSIONS ARE IN MILLIMETRES UNLESS OTHERWISE STATED.
- THERE SHALL BE NO SHARP EDGE ON EXPOSED SURFACES.
- ALL CONCRETE SHALL BE MINIMUM GRADE C32/40.
- ALL STEEL MEMBERS AND COMPONENTS INCLUDING BOLTS, ANCHOR BOLTS, ANCHOR EYE BOLTS, NUTS, WASHERS, SHACKLES, CHAINS, SNAP HOOKS, ETC SHALL BE STAINLESS STEEL 316.
- ALL BOLTS SHALL BE TIGHTENED WITH DOUBLE NUTS OF EQUAL THICKNESS.
- ALL WELDS SHALL BE STRUCTURAL TYPE MADE BY APPROVED WELDING TECHNIQUE TO GIVE SOUND, STRONG WELDS WITH A MAXIMUM THICKNESS NOT EXCEEDING THE THICKNESS OF JOINTING MEMBERS.
- ALL CORNER FILLETS SHOWN SHALL BE SMOOTH AND HAVE A MINIMUM RADIUS OF 2MM
- ALL ANCHOR BOLTS FOR RAILINGS SHALL BE M12 CHEMICAL/ MECHANICAL ANCHOR BOLTS EMBED MINIMUM 100 MM, WITH MINIMUM TENSILE CAPACITY 15KN, SHEAR CAPACITY 5KN. ALL ANCHOR BOLTS SHALL HAVE MINIMUM 60MM DISTANCE TO CONCRETE EDGE. BOLTS SHALL COMPLY WITH THE REQUIREMENTS SET BY THE BOLT MANUFACTURER.
- ALL SHACKLES, CHAINS, AND SNAP HOOKS FOR RAILING SAFETY CHAINS SHALL HAVE A MINIMUM WORKING LOAD OF 1.35 KN.
- ALL POLY-PROPYLENE NYLON ROPES, ANCHOR EYE BOLTS AND SNAP HOOKS FOR BENCHING SAFETY ROPE SHALL HAVE A MINIMUM WORKING LOAD OF 1.35 KN.
- ALL SNAP HOOKS SHALL BE PROPORTIONALLY SIZED TO ALLOW EASY HOOKING ONTO HANDRAIL BOLT HOLES OR SAFETY ROPE ANCHOR EYE BOLTS.

	1) THICKNESS OF MEMBERS ADDED.
	2) VERTICAL MOUNTING STANDARD'S BASE DIMENSION REVISED.
	3) WALL BRACKET DIMENSION REVISED.
A	4) STAINLESS STEEL GRADE ADDED.
	5) STAINLESS STEEL SAFETY CHAIN REMOVED.
	6) BASE OF DETACHABLE STANDARD DIMENSION REVISED.
	7) BASE OF STANDARD (SIDE MOUNTING) DIMENSION REVISED.
	8) NOTE REVISED.
B	1) NOTE REVISED.
	2) DESIGN AND MATERIAL REVISED

AMENDMENTS

ISSUED : JAN 2019

LAST REVIEWED : MAY 2023

SCALES
AS
SHOWN

DETAILS OF HANDRAIL AND SAFETY CHAIN/ROPE

DISTRIBUTION (via e-mail):

Inter-Agency Coordinating Committee (IACC) members

All corenet e-info subscribers

President
Association of Consulting Engineers, Singapore (ACES)
18 Sin Ming Lane #06 - 01
Midview City
Singapore 573960
secretariat@aces.org.sg

President
Institution of Engineers, Singapore (IES)
70 Bukit Tinggi Road
Singapore 289758
ies@iesnet.org.sg

President
Real Estate Developers' Association of Singapore (REDAS)
190 Clemenceau Avenue #07-01
Singapore Shopping Centre
Singapore 239924
enquiry@redas.com

President
Singapore Contractors Association Limited (SCAL)
Construction House
1 Bukit Merah Lane 2
Singapore 159760
enquiry@scal.com.sg

President
Singapore Institute of Architects (SIA)
79/79A/79B Neil Road
Singapore 088904
info@sia.org.sg

President
Singapore Plumbing Society (SPS)
117B Jalan Besar Lvl 3
Singapore 208837
sps@plumbing.org.sg

President
Professional Engineers Board, Singapore (PEB)
52 Jurong Gateway Road, #07-03
Singapore 608550
registrar@peb.gov.sg

President,
Board of Architects Singapore (BOA)
5 Maxwell Road
1st Storey Tower Block
MND Complex
Singapore 069110
boa_enquiry@boa.gov.sg